

PRODUTTORI DI IMPIANTI AVICOLI  
Productores de **POULTRY EQUIPMENT**  
Equipos Avícolas **MANUFACTURERS**  
PRODUCTEURS D'EQUIPEMENTS  
Производители **AVICOLES**  
оборудования для птицеводства  
مصنعي معدات النواجن  
PODIZATELJI KUMES  
DE INSTALACOES AVICULAS  
养鸡设备メーカー HAYVANLARI  
EKIPMANI ÜRETICILERI  
ผู้ผลิตอุปกรณ์สำหรับการผลิตสัตว์ปีก



MADE IN ITALY

# EUROPA - TROPICAL

"A" FRAME EQUIPMENT FOR LAYER

[www.valli-italy.com](http://www.valli-italy.com)

[info@valli-italy.com](mailto:info@valli-italy.com)



YouTube



WEB



*quality you can depend on*

**... SIMPLE AND PERFORMING**

VALLI S.r.l. - Via Cimatti 2, 47010 GALEATA FC - ITALY  
Tel: +39.0543.975311 - Fax: +39.0543.981400  
[info@valli-italy.com](mailto:info@valli-italy.com) [www.valli-italy.com](http://www.valli-italy.com)

EN

EuTro- DE79181 - 20211210\_S4

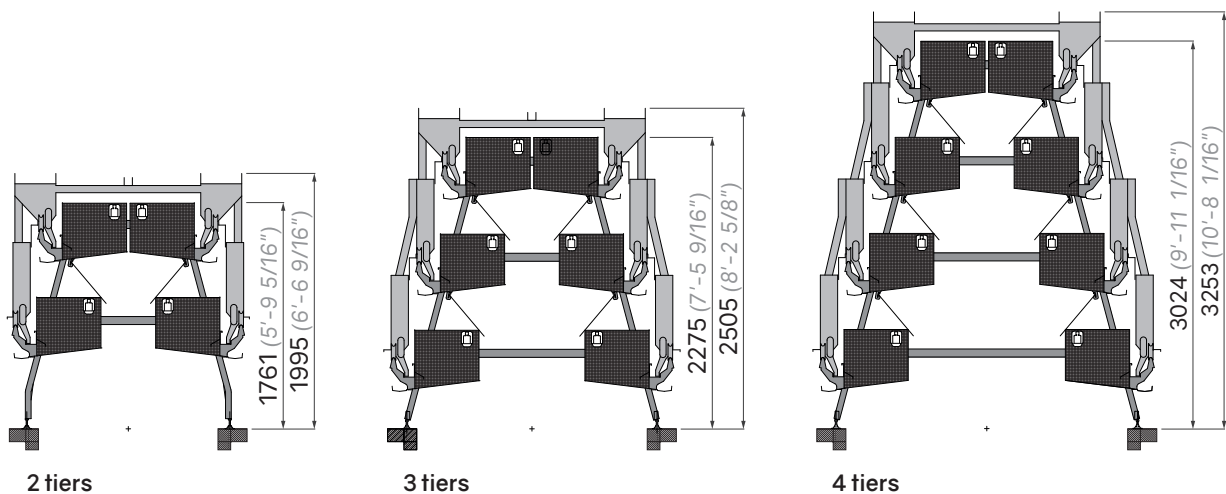




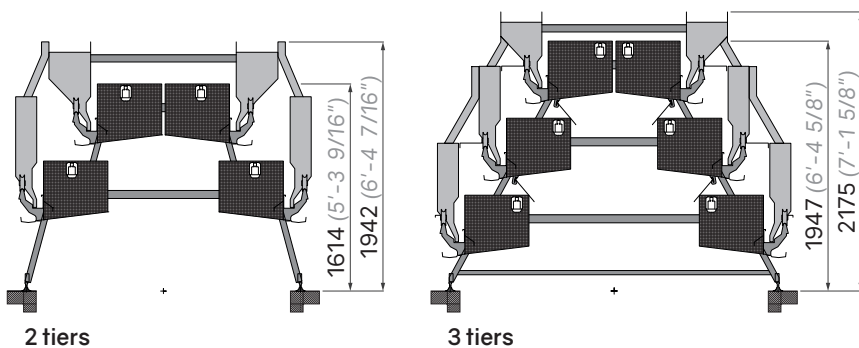
Care — Durability — Flexibility — Reliability — Service

Models	EUROPA	2 tiers	3 tiers	4 tiers	TROPICAL	2 tiers	3 tiers
Overall width (trough/trough)	mm (in)	1815 (5'-11 7/16")	2215 (7'-3 3/16")	2615 (8'-6 15/16")	mm (in)	2255 (7'-4 3/4")	2715 (8'-10 7/8")
Overall width with travelling feeders	mm (in)	1800 (5'-10 7/8")	2200 (7'-2 5/8")	2600 (8'-6 3/8")	mm (in)	2305 (7'-6 3/4")	2755 (9'-0 7/16")
Floor opening width (under cages)	mm (in)	1400 (4'-7 1/8")	1800 (5'-10 7/8")	2200 (7'-2 5/8")	mm (in)	1980 (6'-5 15/16")	2400 (7'-10 1/2")
Length of modular section	mm (in)	2435 (7'-11 7/8")			mm (in)	2435 (7'-11 7/8")	
Floor slope	°	7			°	7	
Height tier to tier	mm (in)	750 (2'-5 1/2")			mm (in)	750 (2'-5 1/2")	

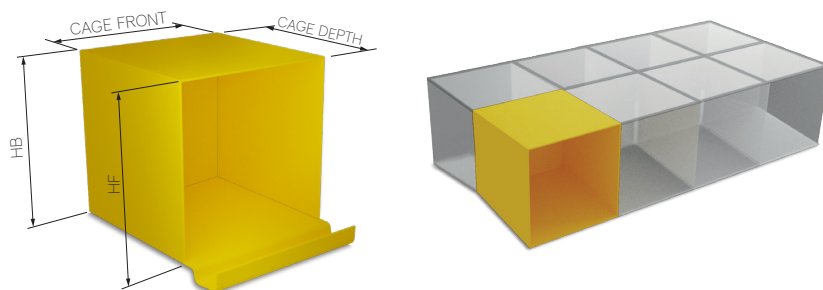
### EUROPA



### TROPICAL



### CAGE MODEL OVERVIEW



Cage depth	mm (in)	500 (1'-7 11/16")
Cage front	mm (in)	600 (1'-11 5/8")
HB (Height at the back)	mm (in)	390 (1'-3 3/8")
HF (height at the front)	mm (in)	450 (1'-5 11/16")
Cage floor surface	cm <sup>2</sup> (in <sup>2</sup> )	3000 (465.0")

### VALLI FEED TROUGH

**PRECISE:** extremely accurate feed distribution

**RELIABLE:** thanks to its durability

**FAST:** it improves installation times for the fitters

**ECONOMICAL:** no feed waste

**EFFECTIVE:** support the Valli Service trolley used in maintenance and the population/depopulation operations

**SAFE:** no corners or sharp edges

**PROTECTIVE:** as a guardrail to avoid possible damage that may be caused by the trolley used to load or unload the birds

**STRONG:** self supporting feed trough 1 mm thick are supplied on all length and all tiers of cages

